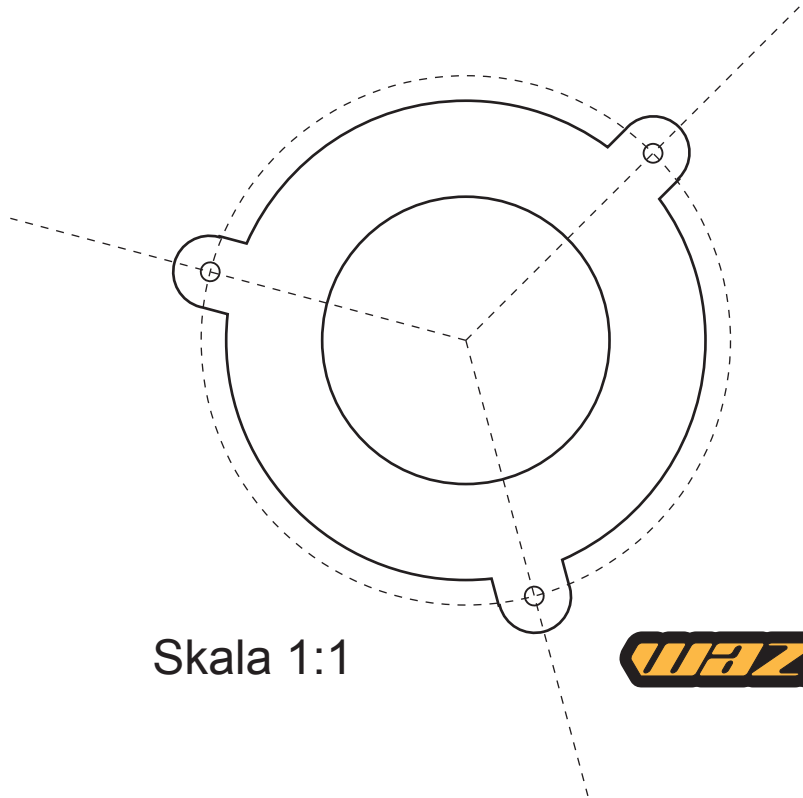


# Motor Retainer 38mm XL



Skala 1:1

